

FLAMEPROOF CP../CPS.. Series - Copper-free aluminium

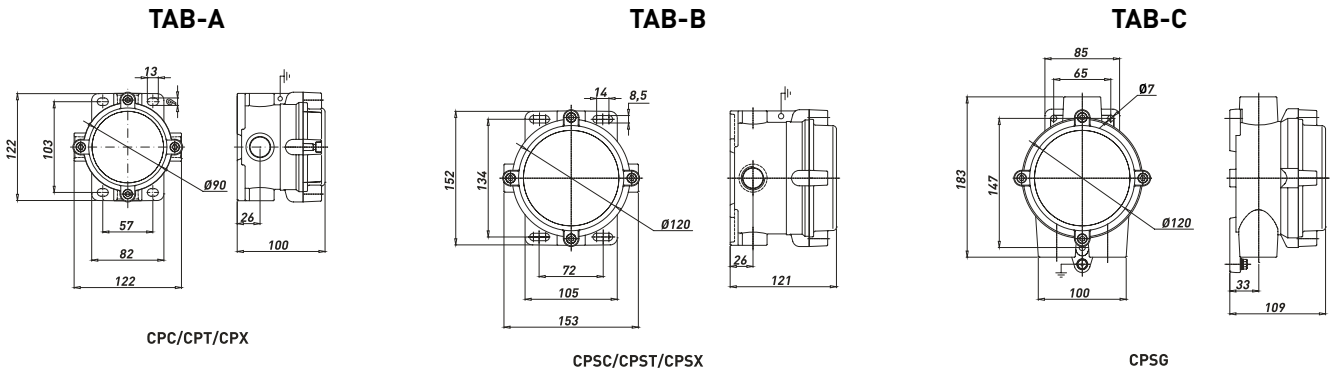


- The CP../CPS.. range of enclosures, used for terminals wiring, grants Ex d or Ex e mode of protection and is suitable for hazardous areas of industrial plants for indoor and outdoor applications.
- Made of copper-free aluminium and complete with threaded hubs suitable for cable glands or conduit, connection does not affect the internal void, which remains available for terminals wiring
- Internal and external screws are made of AISI316 stainless steel.
- This series is tailor made according to customer specifications in terms of quantity and type of operators. Our technical department will select the most suitable solution within the limits allowed by the certificate.

TECHNICAL FEATURES

Material	Copper-free aluminium
IP rating	IP66
Ambient temperature range	-50°C to +60°C (ATEX) -60°C to +60°C (IECEX)
Approvals	ATEX: 03ATEX0009 IECEX: BKI 15.0002 EAC: RU C-IT.BH02.B.00588/20
Marking	STANDARD II 2 GD Ex d IIC T(*) Gb Ex tb IIIC T(*) Db IP66 * T6/T85°C, T5/T100°C, T4/T135°C
Surface treatment	Polyurethane painting cycle - Blue RAL5014 (other colour available upon request)
Thread	Metric pitch 1.5, ANSI B1.20.1 NPT
Standard certificate label	Made by self adhesive UV and corrosion resistant polyester, approved by certified Laboratory.
Optional accessories	Internal anticondensate painting Traffolyte/Stainless steel certificate label Terminals
Maximum number of terminals	(15 x 2,5 mm ² /12 x 4 mm ² /8 x 6 mm ²)

Dimensions CP../CPS..



CP../CPS.. Series - Available versions

TYPE	AVAILABLE ENTRIES				CONFIGURATION OF ENTRIES	ENCLOSURE DIAMETER [mm]	DRAWING
	METRIC		NPT				
CPC-..	2 X M20	2 X M25	2 X 1/2" NPT	2 3/4" NPT		90	TAB-A
CPSC-..	2 X M25	2 X M32	2 X 3/4" NPT	2 X 1" NPT		120	TAB-B
CPT-..	3 X M20	3 X M25	3 X 1/2" NPT	3 X 3/4" NPT		90	TAB-A
CPST-..	3 X M25	3 X M32	3 X 3/4" NPT	3 X 1" NPT		120	TAB-B
CPSG-..	3 X M25	3 X M32	3 X 3/4" NPT	3 X 1" NPT		120	TAB-C
CPX-..	4 X M20	4 X M25	4 X 1/2" NPT	4 X 3/4" NPT		90	TAB-A
CPSX-..	4 X M25	4 X M32	4 X 3/4" NPT	4 X 1" NPT		120	TAB-B

CP../CPS.. Series - Standard versions*

TYPE	CODE**	N° OF ENTRIES	TYPE OF ENTRIES	CONFIGURATION OF ENTRIES	WEIGHT [Kg]	ENCLOSURE DIAMETER [mm]
CPC-16 2XM20	B011074010080	2	M20		1,00	90
CPC-16 2X1/2" NPT	B011074010071	2	1/2" NPT		1,00	90
CPC-26 2XM25	B011074010081	2	M25		1,10	90
CPC-26 2X3/4" NPT	B011074010072	2	3/4" NPT		1,10	90
CPT-16 3XM20	B011074010082	3	M20		1,00	90
CPT-16 3X1/2" NPT	B011074010077	3	1/2" NPT		1,00	90
CPT-26 3XM25	B011074010083	3	M25		1,10	90
CPT-26 3X3/4" NPT	B011074010075	3	3/4" NPT	1,10	90	
CPX-16 4XM20	B011074010076	4	M20		1,00	90
CPX-26 4XM25	B011074010084	4	M25		1,10	90
CPX-26 4X3/4" NPT	B011074010085	4	3/4" NPT	1,10	90	
CPSC-26 2XM25	B011074010086	2	M25		1,70	120
CPSC-26 2X3/4" NPT	B011074010087	2	3/4" NPT		1,70	120
CPSC-36 2XM32	B011074010088	2	M32		1,80	120
CPSC-36 2X1" NPT	B011074010073	2	1" NPT	1,80	120	
CPSG-26 3XM25	B011074010089	3	M25		1,70	120
CPSG-26 3X3/4" NPT	B011074010090	3	3/4" NPT		1,70	120
CPSG-36 3XM32	B011074010091	3	M32		1,80	120
CPSG-36 3X1" NPT	B011074010092	3	1" NPT	1,80	120	
CPST-26 3XM25	B011074010093	3	M25		1,70	120
CPST-26 3X3/4" NPT	B011074010094	3	3/4" NPT		1,70	120
CPST-36 3XM32	B011074010095	3	M32		1,80	120
CPST-36 3X1" NPT	B011074010074	3	1" NPT	1,80	120	
CPSX-26 4XM25	B011074010096	4	M25		1,70	120
CPSX-26 4X3/4" NPT	B011074010097	4	3/4" NPT		1,70	120
CPSX-36 4XM32	B011074010098	4	M32		1,80	120
CPSX-36 4X1" NPT	B011074010099	4	1" NPT	1,80	120	

Codes refer to empty enclosures. For complete junction boxes ask to our Sales Dept.

*CP.. Series are supplied ATEX/TR-CU certified. For IECEx certificate, ask to our Sales Dept.

*CP.. Series are supplied painted. Standard painting cycle: C4 - Colour: Blue RAL5014 (Other colours are available upon request)